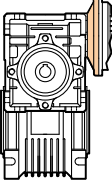
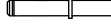
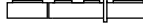
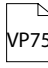

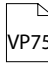
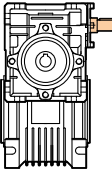
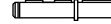
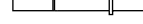
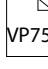

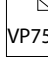
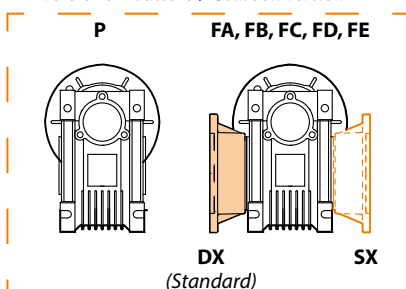


Designazione / Designation

RIDUTTORE COMBINATI A VITE SENZA FINE / COMBINATION WORM GEARBOXES								ACCESSORI / ACCESSORIES			
Riduttore Gearbox	Grandezza riduttore entrata Size input gearbox	Grandezza riduttore uscita Size output gearbox	Versione riduttore Gearbox Version	Posizione flangia uscita Position Output flange	Rapporto rid. = i Ratio = i	Predispos. attacco motore Motor coupling	Forma costruttiva Version	Esecuzione Version	Posizione di montaggio Mounting position	Albero uscita Output shaft	Braccio di reazione Torque arm
VC	030/040	P	-	R5000	63	B5	ADO	U	AD	BR	
	025/030 025/040 030/040 030/050 030/063 040/075 040/090 050/110 063/130 063/150	P FA FB FC FD FE	- DX SX	R100 R150 R200 R250 R300 R400 R500 R600 R750 R900 R1200 R1500 R1800 R2400 R3000 R4000 R4800 R5000	56 63 71 80 90	B5 B14	ADO BDO ADV BDV ASO BSO ASV BSV	U* B3 B6 B7 B8 V5 V6 (1)	  	 	

RIDUTTORE COMBINATI A VITE SENZA FINE / COMBINATION WORM GEARBOXES								ACCESSORI / ACCESSORIES	
Riduttore Gearbox	Grandezza riduttore entrata Size input gearbox	Grandezza riduttore uscita Size output gearbox	Versione riduttore Gearbox Version	Posizione flangia uscita Position Output flange	Rapporto rid. = i Ratio = i	Esecuzione Version	Posizione di montaggio Mounting position	Albero uscita Output shaft	Braccio di reazione Torque arm
VS	030/040	P	-	R5000		ADO	U	AD	BR
	030/040 030/050 030/063 040/075 040/090 050/110 063/130 063/150	P FA FB FC FD FE	- DX SX	R100 R150 R200 R250 R300 R400 R500 R600 R750 R900 R1200 R1500 R1800 R2400 R3000 R4000 R4800 R5000		ADO BDO ADV BDV ASO BSO ASV BSV	U* B3 B6 B7 B8 V5 V6 (1)	  	 

Versione riduttore / Gearbox version



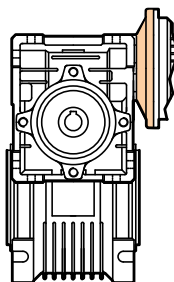
(1) Posizione di montaggio riferita al riduttore uscita

* Dalla gr. 25 alla 63, i riduttori sono forniti in posizione U = Universale

(1) Mounting position refers to output gearbox

* From size 25 to 63, the gearboxes are supplied in position U = Universal

Predisposizioni IEC / IEC Pre-arrangements



$i = R1 \times R2$

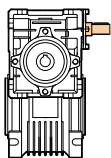
R1 = Rapporto di riduzione riduttore entrata
Ratio input gearbox

R2 = Rapporto di riduzione riduttore uscita
Ratio output gearbox

VC	i	n2	IEC	R1	R2
025 / 030	100	14	56	10	10
	150	9.3		10	15
	200	7		10	20
	250	5.6		10	25
	300	4.7		10	30
	400	3.5		20	20
	500	2.8		20	25
	600	2.3		20	30
	750	1.9		30	25
	900	1.6		30	30
	1200	1.2		40	30
	1500	0.93		50	30
	1800	0.78		60	30
	2400	0.58		60	40
3000	0.47	60	50		
025 / 040	100	14	56	10	10
	150	9.3		10	15
	200	7		10	20
	250	5.6		10	25
	300	4.7		10	30
	400	3.5		10	40
	500	2.8		20	25
	600	2.3		20	30
	750	1.9		25	30
	900	1.6		30	30
	1200	1.2		40	30
	1500	0.93		50	30
	1800	0.78		60	30
	2400	0.58		60	40
3000	0.47	60	50		
4000	0.35	50	80		
5000	0.28	50	100		
030 / 040	100	14	56 63	10	10
	150	9.3		10	15
	200	7		10	20
	250	5.6		10	25
	300	4.7		10	30
	400	3.5		10	40
	500	2.8		20	25
	600	2.3		20	30
	900	1.6		30	30
	1200	1.2		40	30
	1500	0.93		50	30
	1800	0.78		60	30
	2400	0.58		60	40
	3200	0.47		80	40
4000	0.35	50	80		
5000	0.28	50	100		
030 / 050	100	14	56 63	10	10
	150	9.3		10	15
	200	7		10	20
	250	5.6		10	25
	300	4.7		10	30
	400	3.5		10	40
	500	2.8		10	50
	600	2.3		20	30
	750	1.9		25	30
	900	1.6		30	30
	1200	1.2		40	30
	1500	0.93		50	30
	1800	0.78		60	30
	2400	0.58		60	40
3000	0.47	60	50		
4000	0.35	50	80		
4800	0.29	60	80		

VC	i	n2	IEC	R1	R2
030 / 063	100	14	56 63	10	10
	150	9.3		10	15
	200	7		10	20
	250	5.6		10	25
	300	4.7		10	30
	400	3.5		10	40
	500	2.8		10	50
	600	2.3		20	30
	750	1.9		25	30
	900	1.6		30	30
	1200	1.2		40	30
	1500	0.93		50	30
	1800	0.78		60	30
	2400	0.58		60	40
3000	0.47	60	50		
4000	0.35	50	80		
5000	0.29	50	100		
040 / 075 040 / 090	200	7	63	10	20
	250	5.6		10	25
	300	4.7		10	30
	400	3.5		10	40
	500	2.8		10	50
	600	2.3		20	30
	750	1.9		25	30
	900	1.6		30	30
	1200	1.2		40	30
	1500	0.93		50	30
	1800	0.78		60	30
	2400	0.58		60	40
	3000	0.47		60	50
	4000	0.35		80	50
5000	0.28	100	50		
050 / 110	100	14	63 71 80	10	10
	150	9.3		10	15
	200	7		10	20
	250	5.6		10	25
	300	4.7		10	30
	400	3.5		10	40
	500	2.8		20	25
	600	2.3		20	30
	750	1.9		25	30
	900	1.6		30	30
	1200	1.2		40	30
	1500	0.93		50	30
	1800	0.78		60	30
	2400	0.58		60	40
3000	0.47	60	50		
4000	0.35	80	50		
5000	0.28	100	50		
063 / 130 063 / 150	250	5.6	71 80 90	10	25
	300	4.7		10	30
	400	3.5		10	40
	500	2.8		10	50
	600	2.3		20	30
	750	1.9		25	30
	900	1.6		30	30
	1200	1.2		40	30
	1500	0.93		50	30
	1800	0.78		60	30
	2400	0.58		60	40
	3000	0.47		60	50
	4000	0.35		80	50
	5000	0.28		100	50

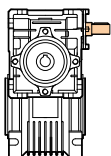
Dati tecnici riduttore / Gearbox technical data



				Grandezza / Size							
				030/040	030/050	030/063	040/075	040/090	050/110	063/130	063/150
i	n ₁	n ₂									
R100	2800	28	Mm ₂ [Nm]	71	103	103					
			Pm ₁ [kW]	0.31	0.44	0.44					
			Fr ₂ [N]	2769	3800	4967					
			Fr ₁ [N]	140	140	140					
	1400	14	Mm ₂ [Nm]	71	137	150					
			Pm ₁ [kW]	0.16	0.31	0.34					
			Fr ₂ [N]	2769	3800	4967					
			Fr ₁ [N]	169	169	169	(1)	(1)	(1)	(1)	(1)
	900	9	Mm ₂ [Nm]	71	137	166					
			Pm ₁ [kW]	0.11	0.20	0.24					
			Fr ₂ [N]	2769	3800	4967					
			Fr ₁ [N]	197	197	197					
500	5	Mm ₂ [Nm]	71	137	198						
		Pm ₁ [kW]	0.06	0.12	0.17						
		Fr ₂ [N]	2769	3800	4967						
		Fr ₁ [N]	210	210	210						
R150	2800	18.7	Mm ₂ [Nm]	72	135	144					
			Pm ₁ [kW]	0.22	0.42	0.44					
			Fr ₂ [N]	3169	4350	5686					
			Fr ₁ [N]	140	140	140					
	1400	9.3	Mm ₂ [Nm]	72	135	211					
			Pm ₁ [kW]	0.12	0.22	0.34					
			Fr ₂ [N]	3169	4350	5686					
			Fr ₁ [N]	169	169	169	(1)	(1)	(1)	(1)	(1)
	900	6	Mm ₂ [Nm]	72	135	233					
			Pm ₁ [kW]	0.08	0.14	0.24					
			Fr ₂ [N]	3169	4350	5686					
			Fr ₁ [N]	197	197	197					
500	3.3	Mm ₂ [Nm]	72	135	260						
		Pm ₁ [kW]	0.04	0.06	0.16						
		Fr ₂ [N]	3169	4350	5686						
		Fr ₁ [N]	210	210	210						
R200	2800	14	Mm ₂ [Nm]	65	120	182	336	487	832		
			Pm ₁ [kW]	0.16	0.30	0.44	0.65	0.93	1.78		
			Fr ₂ [N]	3488	4788	6259	5904	6540	10320		
			Fr ₁ [N]	140	140	140	350	350	378		
	1400	7	Mm ₂ [Nm]	65	120	253	420	608	1139		
			Pm ₁ [kW]	0.08	0.15	0.32	0.50	0.7	1.25		
			Fr ₂ [N]	3488	4788	6259	5904	6540	10320		
			Fr ₁ [N]	169	169	169	350	350	490	(1)	(1)
	900	4.5	Mm ₂ [Nm]	65	120	253	420	608	1139		
			Pm ₁ [kW]	0.05	0.10	0.21	0.33	0.46	0.82		
			Fr ₂ [N]	3488	4788	6259	5904	6540	10320		
			Fr ₁ [N]	197	197	197	350	350	490		
500	2.5	Mm ₂ [Nm]	65	120	253	420	608	1139			
		Pm ₁ [kW]	0.03	0.06	0.12	0.18	0.27	0.47			
		Fr ₂ [N]	3488	4788	6259	5904	6540	10320			
		Fr ₁ [N]	210	210	210	350	350	490			

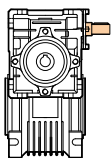
(1): i a richiesta / i on request

Dati tecnici riduttore / Gearbox technical data



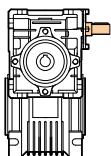
				Grandezza / Size							
				030/040	030/050	030/063	040/075	040/090	050/110	063/130	063/150
i	n ₁	n ₂									
R250	2800	11.2	Mm ₂ [Nm]	61	110	218	304	450	1013	1530	1864
			Pm ₁ [kW]	0.13	0.23	0.44	0.53	0.71	1.78	2.69	3.27
			Fr ₂ [N]	3490	4840	6270	6640	7360	10320	13500	18000
			Fr ₁ [N]	140	140	140	350	350	378	471	471
	1400	5.6	Mm ₂ [Nm]	61	110	231	380	564	1173	1530	2050
			Pm ₁ [kW]	0.07	0.12	0.24	0.40	0.54	1.05	1.37	1.84
			Fr ₂ [N]	3490	4840	6270	6640	7360	10320	13500	18000
			Fr ₁ [N]	169	169	169	350	350	490	595	595
	900	3.6	Mm ₂ [Nm]	61	110	231	380	564	1173	1530	2050
			Pm ₁ [kW]	0.04	0.08	0.16	0.26	0.35	0.69	0.90	1.21
			Fr ₂ [N]	3490	4840	6270	6640	7360	10320	13500	18000
			Fr ₁ [N]	197	197	197	350	350	490	661	661
500	2	Mm ₂ [Nm]	61	110	231	380	564	1173	1530	2050	
		Pm ₁ [kW]	0.03	0.05	0.09	0.18	0.20	0.40	0.52	0.70	
		Fr ₂ [N]	3490	4840	6270	6640	7360	10320	13500	18000	
		Fr ₁ [N]	210	210	210	350	350	490	700	700	
R300	2800	9.3	Mm ₂ [Nm]	73	145	255	316	500	1085	1760	1678
			Pm ₁ [kW]	0.14	0.27	0.51	0.62	0.92	1.78	2.84	2.45
			Fr ₂ [N]	3490	4840	6270	7380	8180	10320	13500	18000
			Fr ₁ [N]	140	140	125	350	350	378	471	516
	1400	4.7	Mm ₂ [Nm]	73	145	255	390	610	1265	1760	2312
			Pm ₁ [kW]	0.07	0.14	0.26	0.38	0.56	1.06	1.45	1.75
			Fr ₂ [N]	3490	4840	6270	7380	8180	10320	13500	18000
			Fr ₁ [N]	210	169	150	350	350	490	595	660
	900	3	Mm ₂ [Nm]	73	145	255	449	689	1265	1760	2340
			Pm ₁ [kW]	0.05	0.09	0.17	0.28	0.41	0.70	0.96	1.16
			Fr ₂ [N]	3490	4840	6270	7380	8180	10320	13500	18000
			Fr ₁ [N]	197	197	175	350	350	490	661	700
500	1.7	Mm ₂ [Nm]	73	145	255	449	689	1265	1760	2340	
		Pm ₁ [kW]	0.03	0.05	0.08	0.16	0.23	0.40	0.55	0.68	
		Fr ₂ [N]	3490	4840	6270	7380	8180	10320	13500	18000	
		Fr ₁ [N]	210	210	210	350	350	490	700	700	
R400	2800	7	Mm ₂ [Nm]	65	124	255	292	500	1185	1650	2624
			Pm ₁ [kW]	0.10	0.20	0.39	0.45	0.74	1.50	20.9	3.27
			Fr ₂ [N]	3490	4840	6270	7380	8180	10320	13500	18000
			Fr ₁ [N]	140	140	140	350	350	378	471	471
	1400	3.5	Mm ₂ [Nm]	65	124	255	360	610	1185	1650	2670
			Pm ₁ [kW]	0.06	0.10	0.20	0.28	0.45	0.77	1.07	1.70
			Fr ₂ [N]	3490	4840	6270	7380	8180	10320	13500	18000
			Fr ₁ [N]	210	169	169	350	350	490	595	595
	900	2.3	Mm ₂ [Nm]	65	124	255	414	689	1185	1650	2670
			Pm ₁ [kW]	0.04	0.07	0.13	0.21	0.33	0.51	0.70	1.12
			Fr ₂ [N]	3490	4840	6270	7380	8180	10320	13500	18000
			Fr ₁ [N]	197	197	197	350	350	490	661	661
500	1.3	Mm ₂ [Nm]	65	124	255	414	689	1185	1650	2670	
		Pm ₁ [kW]	0.02	0.04	0.08	0.13	0.17	0.29	0.41	0.65	
		Fr ₂ [N]	3490	4840	6270	7380	8180	10320	13500	18000	
		Fr ₁ [N]	210	210	210	350	350	490	700	700	

Dati tecnici riduttore / Gearbox technical data



				Grandezza / Size							
				030/040	030/050	030/063	040/075	040/090	050/110	063/130	063/150
i	n ₁	n ₂									
R500	2800	5.6	Mm ₂ [Nm]	61	120	236	259	459	994	1550	2330
			Pm ₁ [kW]	0.07	0.16	0.331	0.34	0.57	0.94	1.65	2.48
			Fr ₂ [N]	3490	4840	6270	7380	8180	10320	13500	18000
			Fr ₁ [N]	146	140	140	350	350	417	471	471
	1400	2.8	Mm ₂ [Nm]	61	120	236	320	560	1173	1550	2330
			Pm ₁ [kW]	0.04	0.08	0.16	0.21	0.35	0.57	0.84	1.27
			Fr ₂ [N]	3490	4840	6270	7380	8180	10320	13500	18000
			Fr ₁ [N]	210	169	169	350	350	490	595	595
	900	1.8	Mm ₂ [Nm]	61	120	236	368	633	1173	1550	2330
			Pm ₁ [kW]	0.02	0.06	0.11	0.16	0.25	0.38	0.55	0.83
			Fr ₂ [N]	3490	4840	6270	7380	8180	10320	13500	18000
			Fr ₁ [N]	210	197	197	350	350	490	661	661
500	1	Mm ₂ [Nm]	61	120	236	368	633	1173	1550	2330	
		Pm ₁ [kW]	0.01	0.03	0.06	0.09	0.13	0.20	0.29	0.42	
		Fr ₂ [N]	3490	4840	6270	7380	8180	10320	13500	18000	
		Fr ₁ [N]	210	210	210	350	350	490	700	700	
R600	2800	4.7	Mm ₂ [Nm]	73	145	220	316	500	1065	1760	2670
			Pm ₁ [kW]	0.08	0.15	0.22	0.34	0.51	0.94	1.49	2.27
			Fr ₂ [N]	3490	4840	6270	7380	8180	10320	13500	18000
			Fr ₁ [N]	146	146	146	350	350	417	556	516
	1400	2.3	Mm ₂ [Nm]	73	145	271	390	610	1265	1760	2670
			Pm ₁ [kW]	0.05	0.08	0.15	0.21	0.31	0.58	0.77	1.18
			Fr ₂ [N]	3490	4840	6270	7380	8180	10320	13500	18000
			Fr ₁ [N]	210	180	180	350	350	490	700	660
	900	1.5	Mm ₂ [Nm]	73	145	271	449	689	1265	1760	2670
			Pm ₁ [kW]	0.03	0.05	0.10	0.16	0.23	0.39	0.52	0.77
			Fr ₂ [N]	3490	4840	6270	7380	8180	10320	13500	18000
			Fr ₁ [N]	210	210	210	350	350	490	700	700
500		Mm ₂ [Nm]	73	145	271	449	689	1265	1760	2670	
		Pm ₁ [kW]	0.01	0.02	0.06	0.09	0.12	0.21	0.27	0.38	
		Fr ₂ [N]	3490	4840	6270	7380	8180	10320	13500	18000	
		Fr ₁ [N]	210	210	210	350	350	490	700	700	
R750	2800	3.7	Mm ₂ [Nm]	73	145	271	316	459	1025	1760	2330
			Pm ₁ [kW]	0.06	0.13	0.23	0.31	0.41	0.74	1.22	1.69
			Fr ₂ [N]	3490	4840	6270	7380	8180	10320	13500	18000
			Fr ₁ [N]	210	210	210	350	350	482	613	516
	1400	1.9	Mm ₂ [Nm]	73	145	271	390	560	1265	1760	2330
			Pm ₁ [kW]	0.04	0.07	0.13	0.19	0.25	0.48	0.64	0.87
			Fr ₂ [N]	3490	4840	6270	7380	8180	10320	13500	18000
			Fr ₁ [N]	210	210	210	350	350	490	700	660
	900	1.2	Mm ₂ [Nm]	73	145	271	449	633	1265	1760	2330
			Pm ₁ [kW]	0.02	0.05	0.09	0.14	0.18	0.32	0.43	0.58
			Fr ₂ [N]	3490	4840	6270	7380	8180	10320	13500	18000
			Fr ₁ [N]	210	210	210	350	350	490	700	700
500		Mm ₂ [Nm]	73	145	271	449	633	1265	1760	2330	
		Pm ₁ [kW]	0.01	0.02	0.05	0.08	0.10	0.17	0.22	0.30	
		Fr ₂ [N]	3490	4840	6270	7380	8180	10320	13500	18000	
		Fr ₁ [N]	210	210	210	350	350	490	700	700	

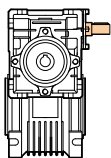
Dati tecnici riduttore / Gearbox technical data



				Grandezza / Size							
				030/040	030/050	030/063	040/075	040/090	050/110	063/130	063/150
i	n ₁	n ₂									
R900	2800	3.1	Mm ₂ [Nm]	73	145	271	316	414	1265	1760	2100
			Pm ₁ [kW]	0.06	0.11	0.20	0.28	0.34	0.80	1.07	1.19
			Fr ₂ [N]	3490	4840	6270	7380	8180	10320	13500	18000
			Fr ₁ [N]	210	210	210	350	350	490	700	700
	1400	1.6	Mm ₂ [Nm]	73	145	271	390	505	1265	1760	2100
			Pm ₁ [kW]	0.04	0.06	0.11	0.17	0.21	0.42	0.56	0.62
			Fr ₂ [N]	3490	4840	6270	7380	8180	10320	13500	18000
			Fr ₁ [N]	210	210	210	350	350	490	700	700
	900	1	Mm ₂ [Nm]	73	145	271	449	571	1265	1760	2100
			Pm ₁ [kW]	0.02	0.04	0.08	0.13	0.15	0.29	0.38	0.42
			Fr ₂ [N]	3490	4840	6270	7380	8180	10320	13500	18000
			Fr ₁ [N]	210	210	210	350	350	490	700	700
	500		Mm ₂ [Nm]	73	145	271	449	571	1265	1760	2100
			Pm ₁ [kW]	0.01	0.02	0.04	0.07	0.08	0.16	0.20	0.24
			Fr ₂ [N]	3490	4840	6270	7380	8180	10320	13500	18000
			Fr ₁ [N]	210	210	210	350	3350	490	700	700
R1200	2800	2.3	Mm ₂ [Nm]	73	145	256	310	500	1186	1760	2670
			Pm ₁ [kW]	0.05	0.09	0.15	0.22	0.33	0.58	0.83	1.25
			Fr ₂ [N]	3490	4840	6270	7380	8180	10320	13500	18000
			Fr ₁ [N]	127	127	127	350	350	490	700	700
	1400	1.2	Mm ₂ [Nm]	65	145	271	360	610	1265	1760	2670
			Pm ₁ [kW]	0.03	0.05	0.09	0.13	0.20	0.34	0.45	0.66
			Fr ₂ [N]	3490	4840	6270	7380	8180	10320	13500	18000
			Fr ₁ [N]	210	210	210	350	350	490	700	700
	900	0.8	Mm ₂ [Nm]	73	145	271	414	689	1265	1760	2670
			Pm ₁ [kW]	0.02	0.03	0.06	0.10	0.15	0.23	0.31	0.45
			Fr ₂ [N]	3490	4840	6270	7380	8180	10320	13500	18000
			Fr ₁ [N]	210	210	210	350	350	490	700	700
	500		Mm ₂ [Nm]	73	145	271	414	689	1265	1760	2670
			Pm ₁ [kW]	0.01	0.02	0.04	0.06	0.08	0.13	0.16	0.24
			Fr ₂ [N]	3490	4840	6270	7380	8180	10320	13500	18000
			Fr ₁ [N]	210	210	210	350	350	490	700	700
R1500	2800	1.9	Mm ₂ [Nm]	73	145	238	335	459	1065	1760	(1)
			Pm ₁ [kW]	0.04	0.07	0.12	0.21	0.26	0.44	0.70	
			Fr ₂ [N]	3490	4840	6270	7380	8180	10320	13500	
			Fr ₁ [N]	128	128	128	350	350	490	700	
	1400	0.9	Mm ₂ [Nm]	73	145	271	390	560	1265	1760	
			Pm ₁ [kW]	0.03	0.04	0.08	0.12	0.16	0.29	0.38	
			Fr ₂ [N]	3490	4840	6270	7380	8180	10320	13500	
			Fr ₁ [N]	210	210	210	350	350	490	700	
	900	0.6	Mm ₂ [Nm]	73	145	271	449	633	1265	1760	
			Pm ₁ [kW]	0.01	0.03	0.05	0.09	0.12	0.20	0.26	
			Fr ₂ [N]	3490	4840	6270	7380	8180	10320	13500	
			Fr ₁ [N]	210	210	210	350	350	490	700	
	500		Mm ₂ [Nm]	73	145	271	449	633	1265	1760	
			Pm ₁ [kW]	0.01	0.02	0.03	0.05	0.07	0.12	0.14	
			Fr ₂ [N]	3490	4840	6270	7380	8180	10320	13500	
			Fr ₁ [N]	210	210	210	350	350	490	700	

(1): i a richiesta / i on request

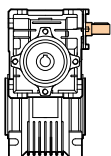
Dati tecnici riduttore / Gearbox technical data



				Grandezza / Size							
				030/040	030/050	030/063	040/075	040/090	050/110	063/130	063/150
i	n ₁	n ₂									
R1800	2800	1.6	Mm ₂ [Nm]	73	145	220	335	414	1005	1760	2100
			Pm ₁ [kW]	0.03	0.07	0.10	0.19	0.21	0.36	0.61	0.68
			Fr ₂ [N]	3490	4840	6270	7380	8180	10320	13500	18000
			Fr ₁ [N]	126	126	126	350	350	490	700	700
	1400	0.8	Mm ₂ [Nm]	73	145	271	390	505	1265	1760	2100
			Pm ₁ [kW]	0.02	0.04	0.07	0.11	0.13	0.26	0.33	0.37
			Fr ₂ [N]	3490	4840	6270	7380	8180	10320	13500	18000
			Fr ₁ [N]	210	210	210	350	350	490	700	700
	900	0.5	Mm ₂ [Nm]	73	145	271	449	571	1265	1760	2100
			Pm ₁ [kW]	0.01	0.03	0.05	0.08	0.09	0.18	0.23	0.26
			Fr ₂ [N]	3490	4840	6270	7380	8180	10320	13500	18000
			Fr ₁ [N]	210	210	210	350	350	490	700	700
	500		Mm ₂ [Nm]	73	145	271	449	571	1265	1760	2100
			Pm ₁ [kW]	0.01	0.02	0.03	0.05	0.05	0.10	0.12	0.14
			Fr ₂ [N]	3490	4840	6270	7380	8180	10320	13500	18000
			Fr ₁ [N]	210	210	210	350	350	490	700	700
R2400	2800	1.2	Mm ₂ [Nm]	65	124	255	310	500	1185	1650	2610
			Pm ₁ [kW]	0.03	0.05	0.09	0.14	0.20	0.33	0.45	0.70
			Fr ₂ [N]	3490	4840	6270	7380	8180	10320	13500	18000
			Fr ₁ [N]	126	126	126	350	350	490	700	700
	1400	0.6	Mm ₂ [Nm]	65	124	255	360	610	1185	1650	2670
			Pm ₁ [kW]	0.02	0.03	0.05	0.08	0.12	0.19	0.25	0.39
			Fr ₂ [N]	3490	4840	6270	7380	8180	10320	13500	18000
			Fr ₁ [N]	210	210	210	350	350	490	700	700
	900	0.4	Mm ₂ [Nm]	65	124	255	414	689	1185	1650	2670
			Pm ₁ [kW]	0.01	0.02	0.04	0.06	0.09	0.13	0.17	0.27
			Fr ₂ [N]	3490	4840	6270	7380	8180	10320	13500	18000
			Fr ₁ [N]	210	210	210	350	350	490	700	700
	500		Mm ₂ [Nm]	65	124	255	414	689	1185	1650	2670
			Pm ₁ [kW]	0.01	0.02	0.02	0.03	0.05	0.07	0.09	0.15
			Fr ₂ [N]	3490	4840	6270	7380	8180	10320	13500	18000
			Fr ₁ [N]	210	210	210	350	350	490	700	700
R3000	2800	0.9	Mm ₂ [Nm]	(1)	120	236	282	459	1100	1550	2330
			Pm ₁ [kW]	(1)	0.04	0.08	0.11	0.16	0.26	0.35	0.53
			Fr ₂ [N]	(1)	4840	6270	7380	8180	10320	13500	18000
			Fr ₁ [N]	(1)	126	126	350	350	490	700	700
	1400	0.5	Mm ₂ [Nm]	(1)	120	236	320	560	1100	1550	2330
			Pm ₁ [kW]	(1)	0.020	0.04	0.06	0.10	0.14	0.19	0.29
			Fr ₂ [N]	(1)	4840	6270	7380	8180	10320	13500	18000
			Fr ₁ [N]	(1)	210	210	350	350	490	700	700
	900	0.3	Mm ₂ [Nm]	(1)	120	236	368	633	1100	1550	2330
			Pm ₁ [kW]	(1)	0.02	0.03	0.04	0.07	0.10	0.13	0.20
			Fr ₂ [N]	(1)	4840	6270	7380	8180	10320	13500	18000
			Fr ₁ [N]	(1)	210	210	350	350	490	700	700
	500		Mm ₂ [Nm]	(1)	120	236	368	633	1100	1550	2330
			Pm ₁ [kW]	(1)	0.01	0.02	0.02	0.04	0.06	0.07	0.12
			Fr ₂ [N]	(1)	4840	6270	7380	8180	10320	13500	18000
			Fr ₁ [N]	(1)	210	210	350	350	490	700	700

(1): i a richiesta / i on request

Dati tecnici riduttore / Gearbox technical data

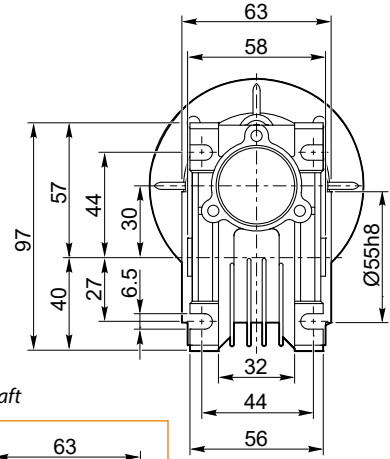
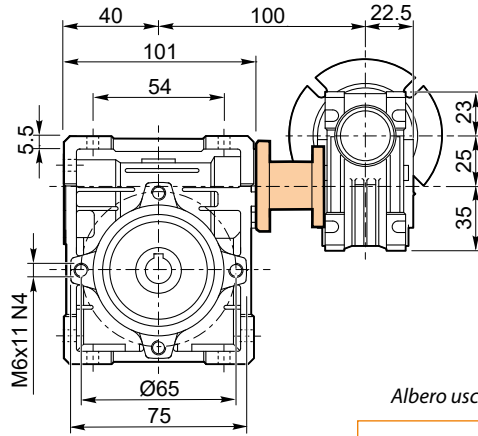
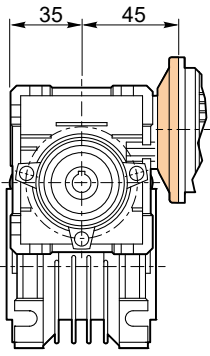


				Grandezza / Size								
				030/040	030/050	030/063	040/075	040/090	050/110	063/130	063/150	
i	n ₁	n ₂										
R3200	2800	0.9	Mm ₂ [Nm]	60								
			Pm ₁ [kW]	0.02								
			Fr ₂ [N]	3490								
			Fr ₁ [N]	126								
	1400	0.5	Mm ₂ [Nm]	60								
			Pm ₁ [kW]	0.01								
			Fr ₂ [N]	3490								
			Fr ₁ [N]	210								
	900	0.3	Mm ₂ [Nm]	60	(1)	(1)	(1)	(1)	(1)	(1)	(1)	(1)
			Pm ₁ [kW]	0.01								
			Fr ₂ [N]	3490								
			Fr ₁ [N]	210								
500		Mm ₂ [Nm]	60									
		Pm ₁ [kW]	0.01									
		Fr ₂ [N]	3490									
		Fr ₁ [N]	210									
R4000	2800	0.7	Mm ₂ [Nm]	48	82	236	220	377	1100	1550	2330	
			Pm ₁ [kW]	0.01	0.02	0.06	0.07	0.11	0.21	0.28	0.43	
			Fr ₂ [N]	3490	4840	6270	7380	8180	10320	13500	18000	
			Fr ₁ [N]	128	128	130	350	350	490	700	700	
	1400	0.4	Mm ₂ [Nm]	48	82	236	250	460	1100	1550	2330	
			Pm ₁ [kW]	0.01	0.01	0.04	0.04	0.07	0.12	0.16	0.24	
			Fr ₂ [N]	3490	4840	6270	7380	8180	10320	13500	18000	
			Fr ₁ [N]	210	210	210	350	350	490	700	700	
	900	0.2	Mm ₂ [Nm]	48	82	236	288	520	1100	1550	2330	
			Pm ₁ [kW]	0.01	0.01	0.03	0.03	0.05	0.08	0.11	0.17	
			Fr ₂ [N]	3490	4840	6270	7380	8180	10320	13500	18000	
			Fr ₁ [N]	210	210	210	350	350	490	700	700	
500		Mm ₂ [Nm]	48	82	236	288	520	1100	1550	2330		
		Pm ₁ [kW]	0.01	0.01	0.01	0.02	0.03	0.05	0.06	0.09		
		Fr ₂ [N]	3490	4840	6270	7380	8180	10320	13500	18000		
		Fr ₁ [N]	210	210	210	350	350	490	700	700		
R4800 *	2800	0.6	Mm ₂ [Nm]	43	79	150	202	336	1100	1550	2330	
			Pm ₁ [kW]	0.01	0.02	0.04	0.05	0.08	0.18	0.25	0.37	
			Fr ₂ [N]	3490	4840	6270	7380	8180	10320	13500	18000	
			Fr ₁ [N]	128	128	128	350	350	490	700	700	
	1400	0.3	Mm ₂ [Nm]	43	79	150	230	410	1100	1550	2330	
			Pm ₁ [kW]	0.01	0.01	0.02	0.03	0.05	0.10	0.14	0.21	
			Fr ₂ [N]	3490	4840	6270	7380	8180	10320	13500	18000	
			Fr ₁ [N]	210	210	210	350	350	490	700	700	
	R5000	900	0.2	Mm ₂ [Nm]	43	79	150	265	463	1100	1550	2330
				Pm ₁ [kW]	0.01	0.01	0.01	0.02	0.04	0.07	0.10	0.15
				Fr ₂ [N]	3490	4840	6270	7380	8180	10320	13500	18000
				Fr ₁ [N]	210	210	210	350	350	490	700	700
500		Mm ₂ [Nm]	43	79	150	265	463	1100	1550	2330		
		Pm ₁ [kW]	0.01	0.01	0.01	0.01	0.02	0.04	0.06	0.08		
		Fr ₂ [N]	3490	4840	6270	7380	8180	10320	13500	18000		
		Fr ₁ [N]	210	210	210	350	350	490	700	700		

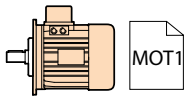
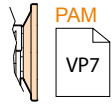
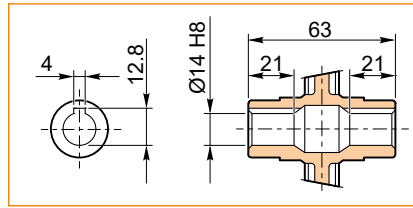
(1): i a richiesta / i on request

* : R4800 solo per VS 030/050 / R4800 only for VS 030/050

VC 025 / 030 P...

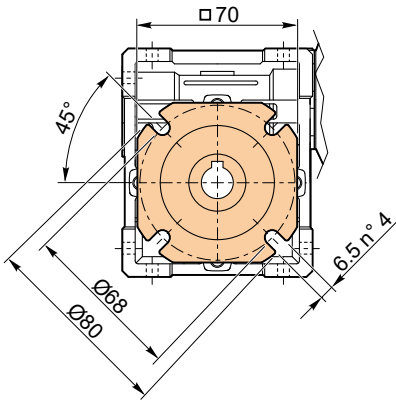


Albero uscita / Output shaft



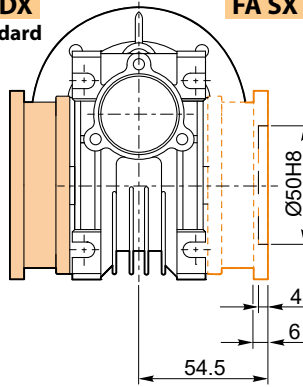
Kg
2.0 kg

VC 025 / 030 F...

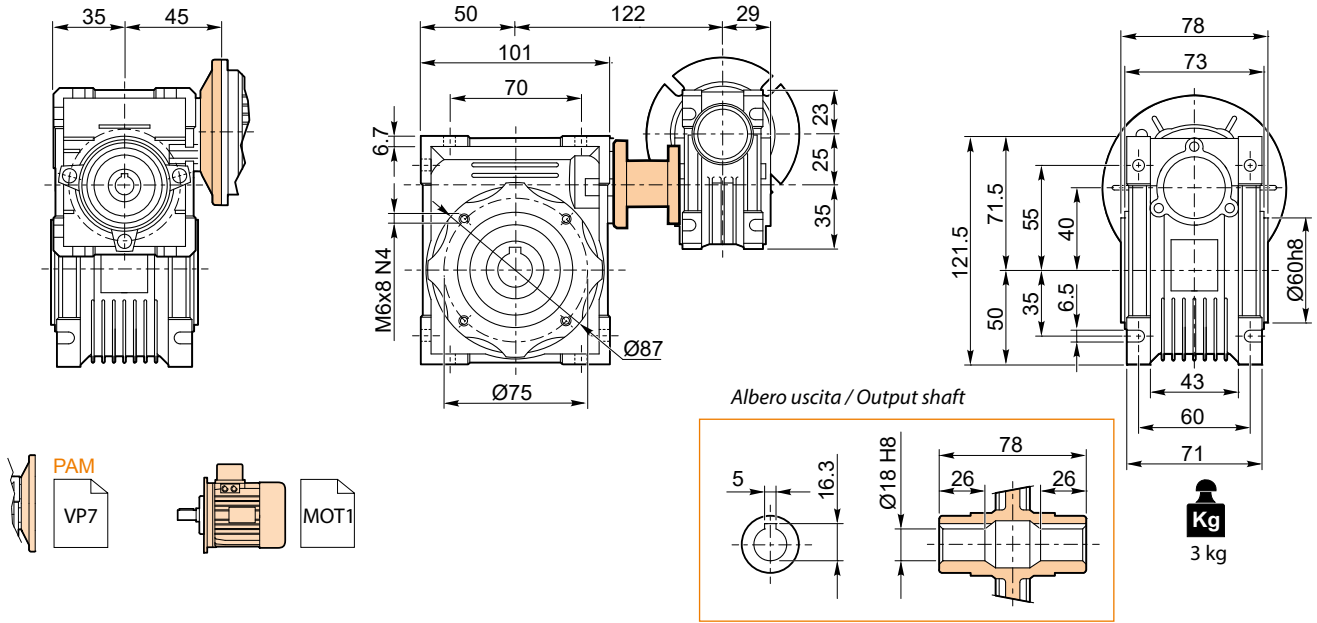


FA DX
Standard

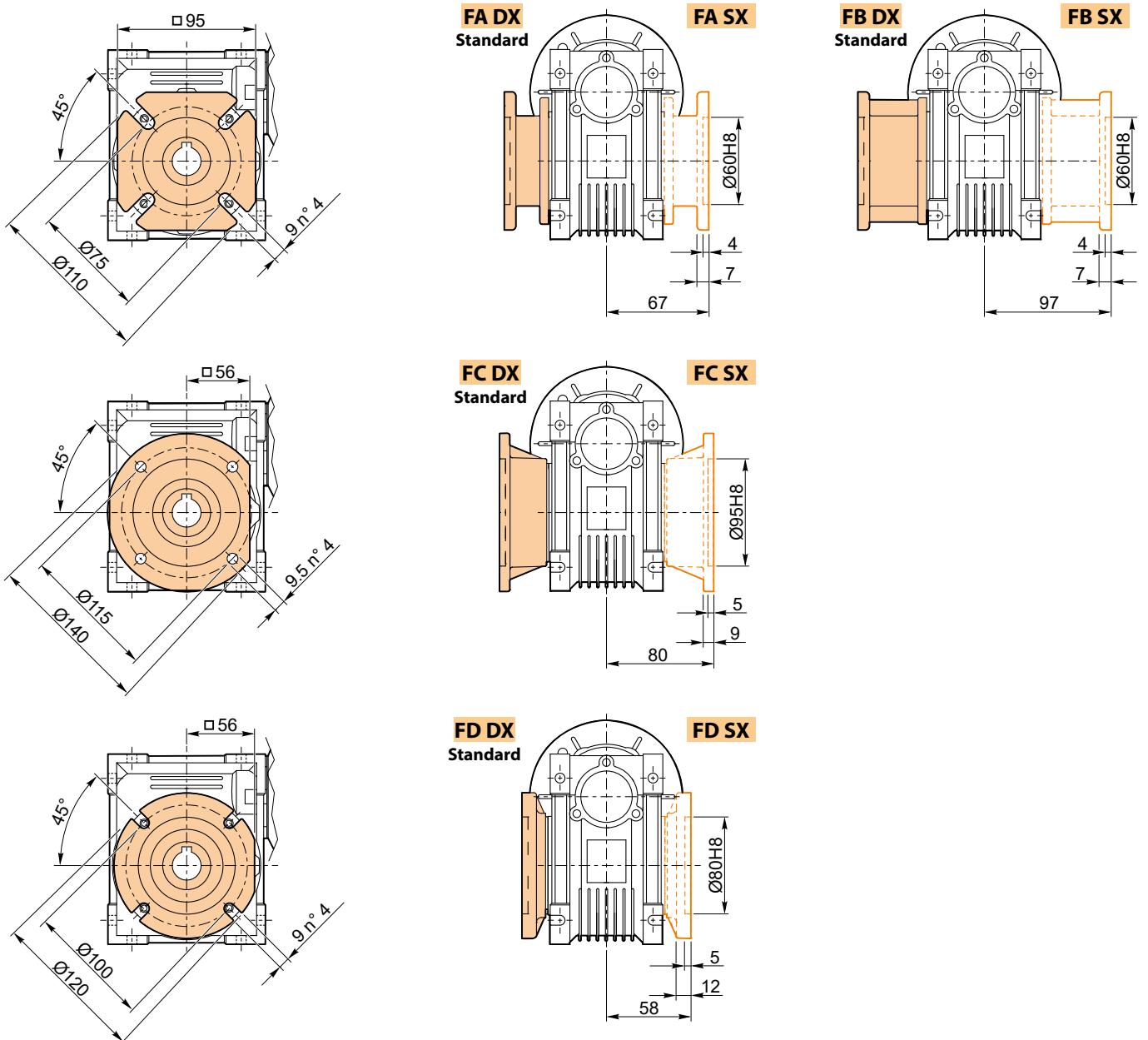
FA SX



VC 025 / 040 P...

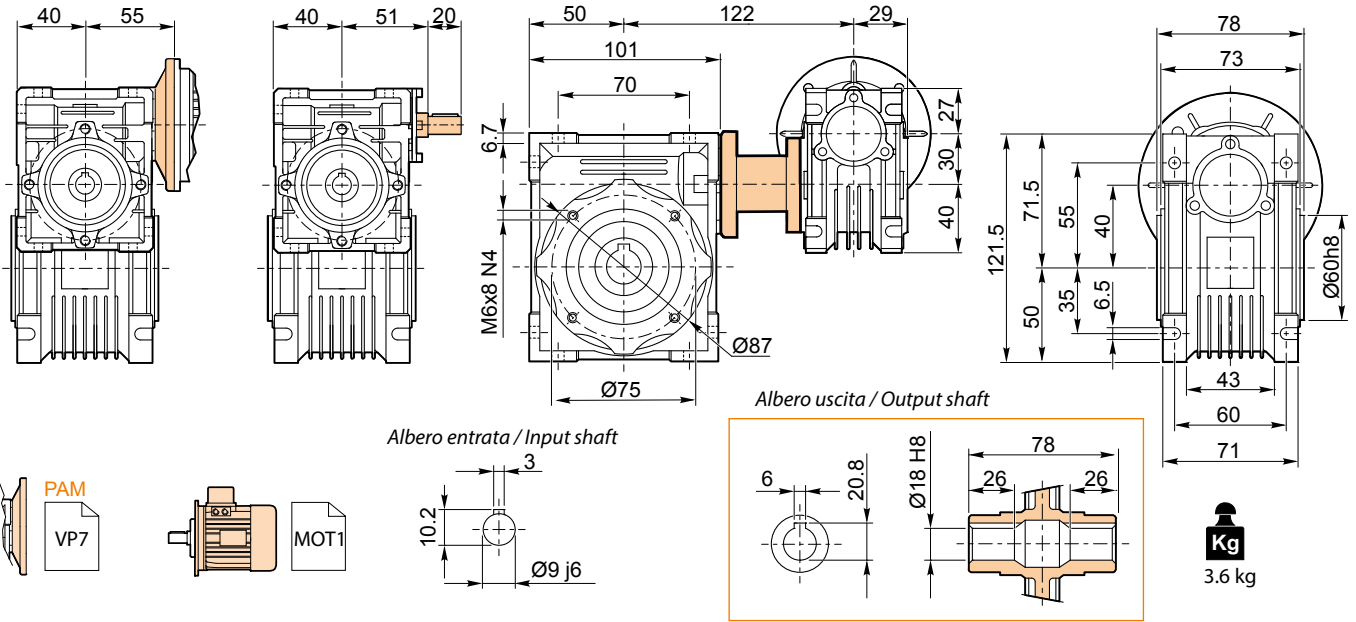


VC 025 / 040 F...



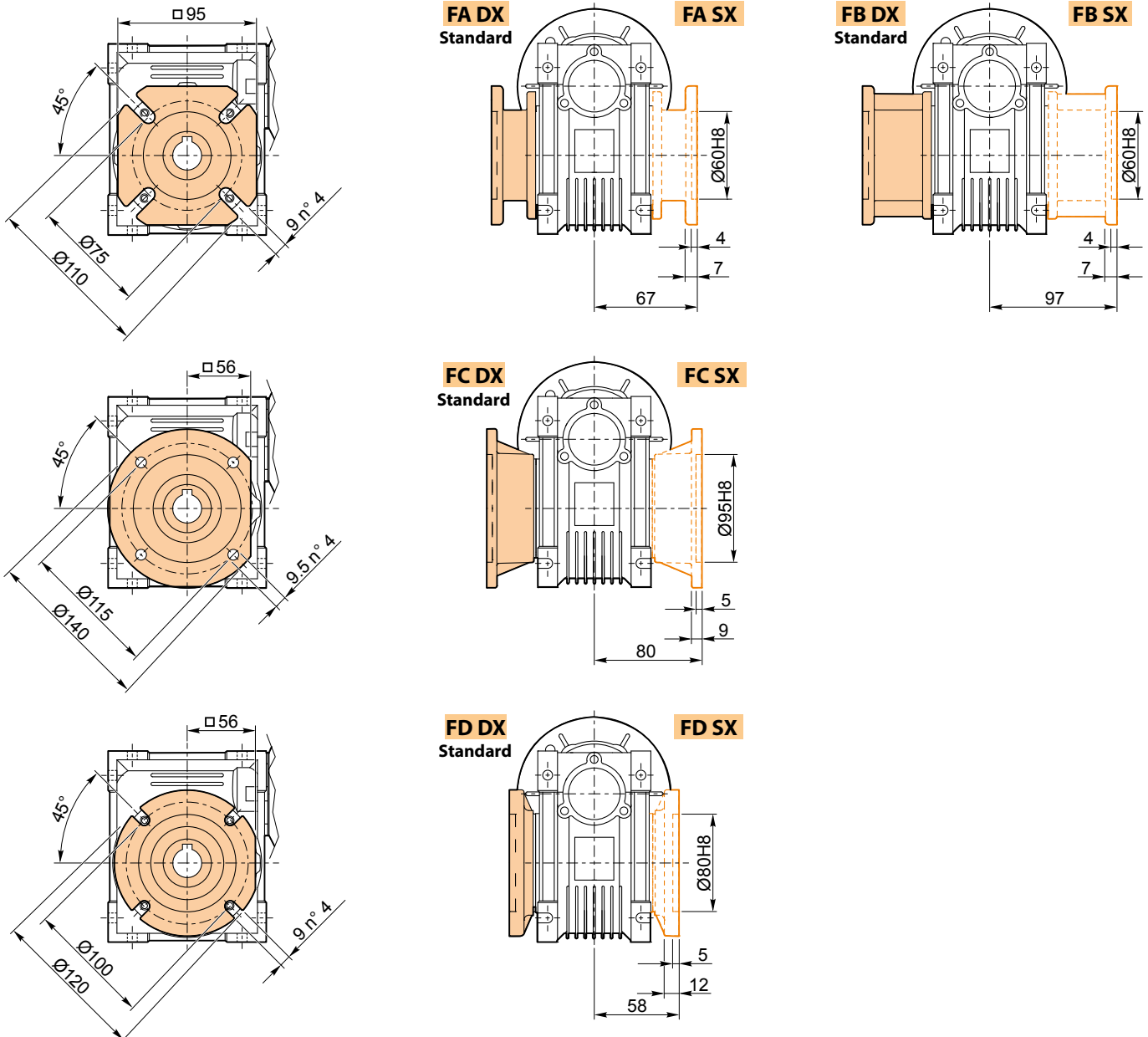
VC 030 / 040 P ...

VS 030 / 040 P ...



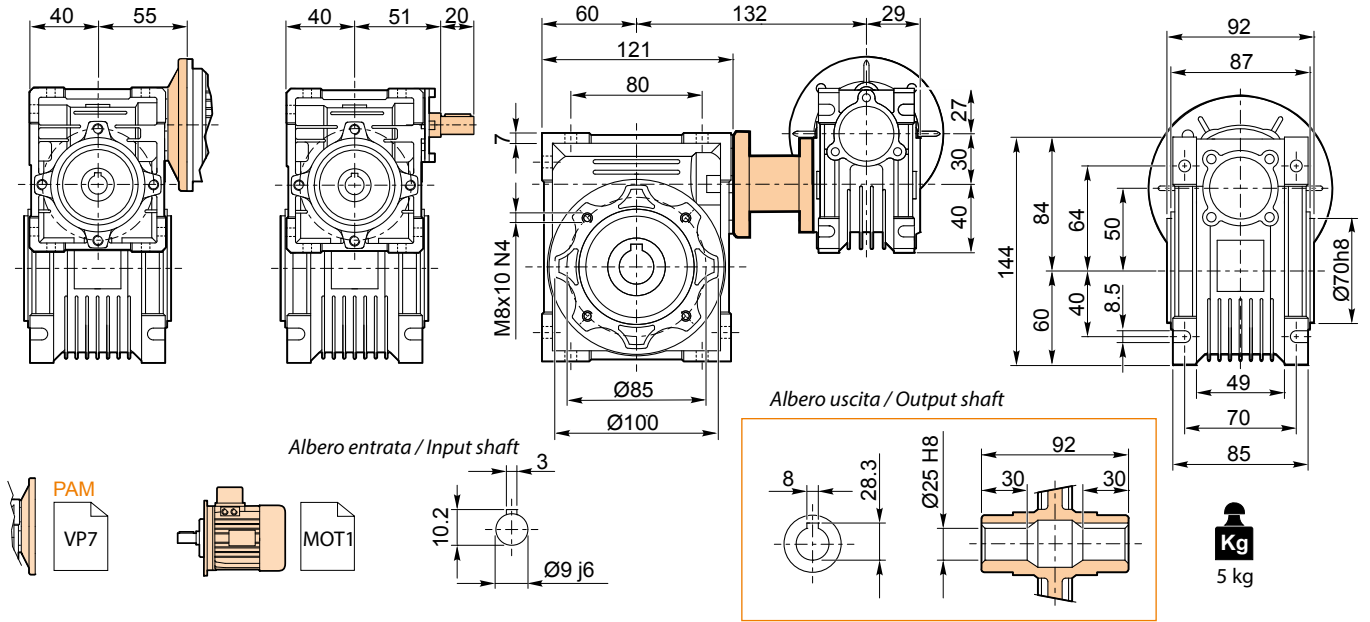
VC 030 / 040 F...

VS 030 / 040 F...



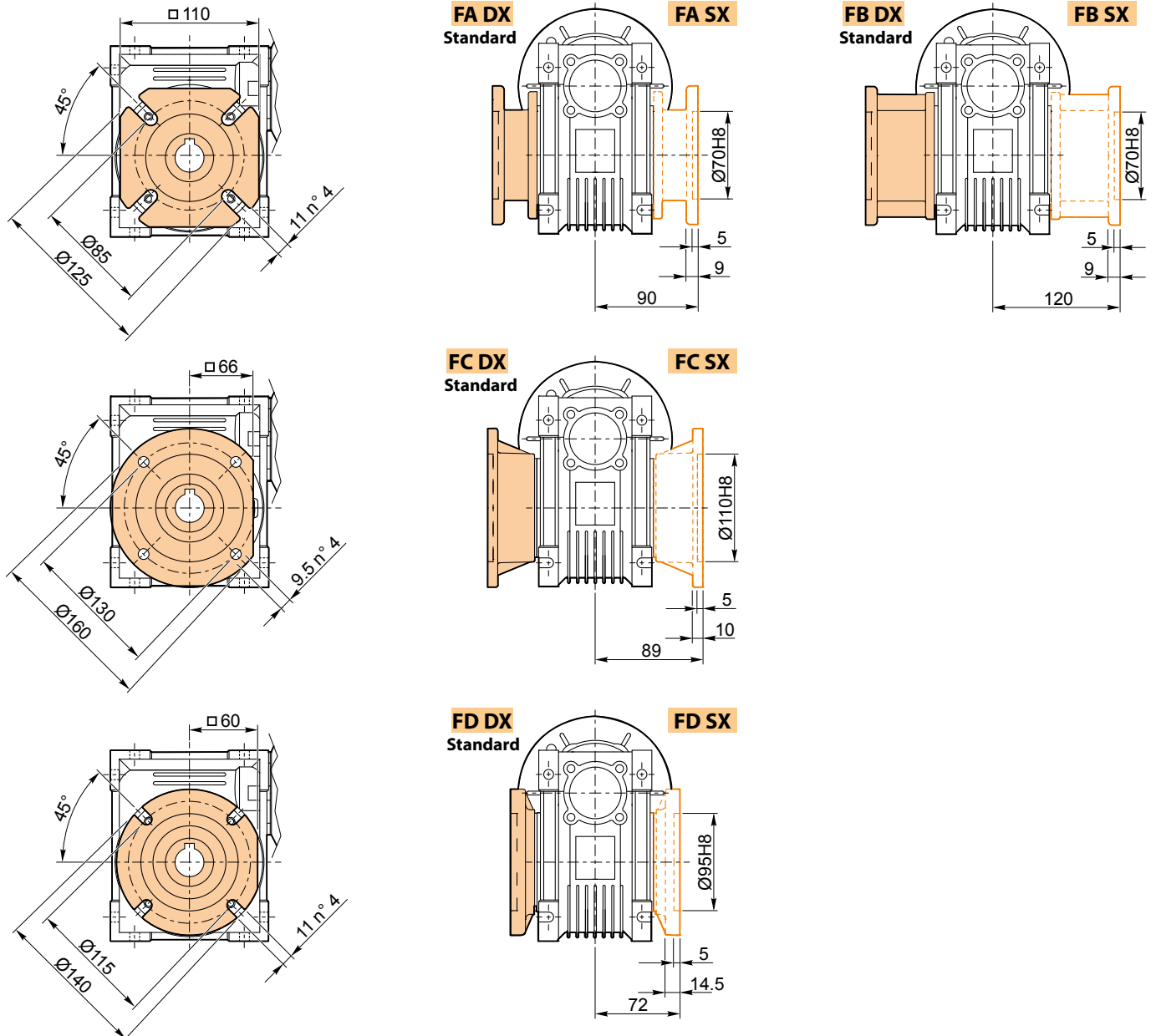
VC 030/050 P...

VS 030/050 P...



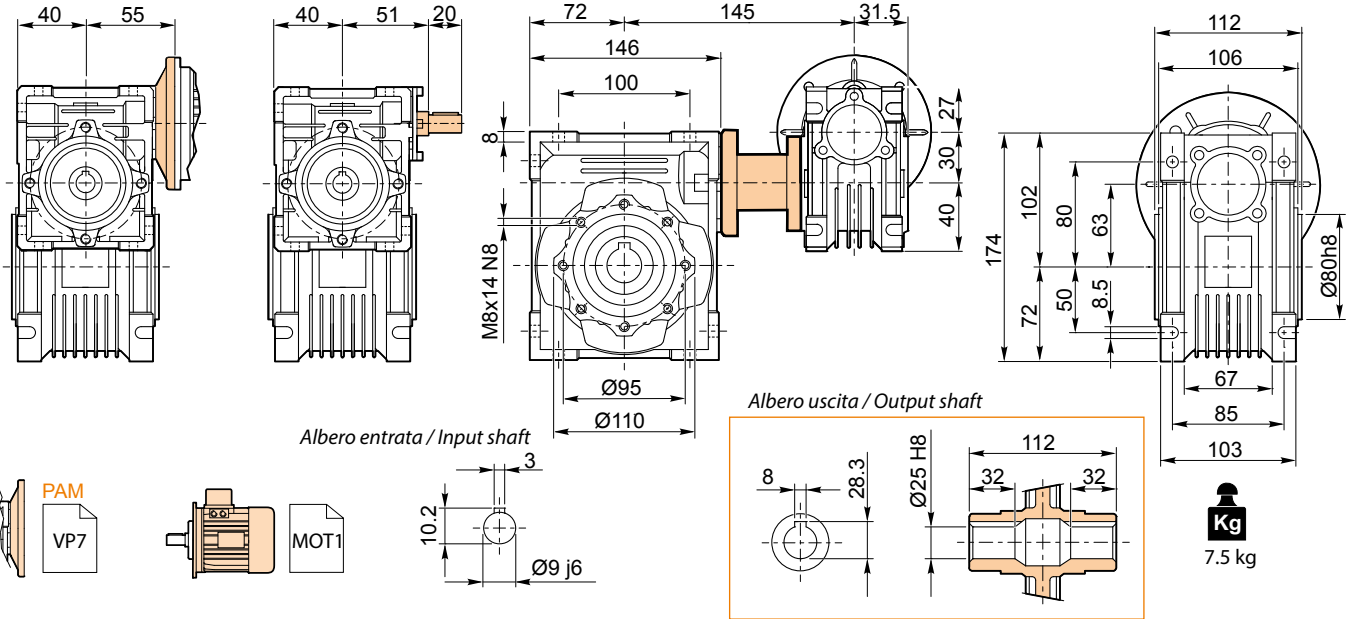
VC 030/050 F...

VS 030/050 F...



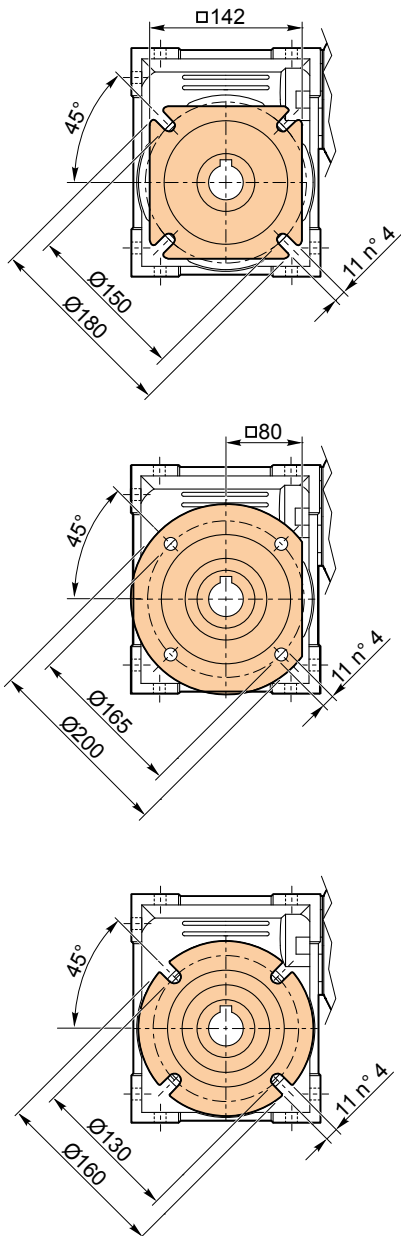
VC 030 / 063 P ...

VS 030 / 063 P ...

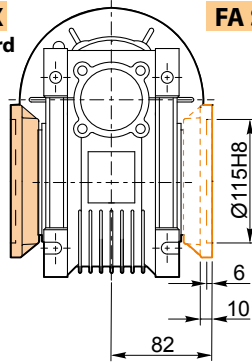


VC 030 / 063 F...

VS 030 / 063 F...

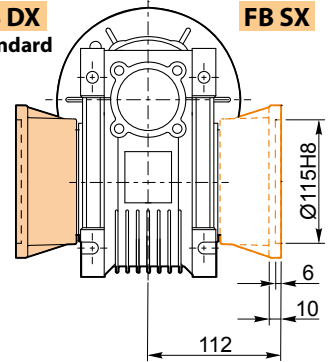


FA DX
Standard



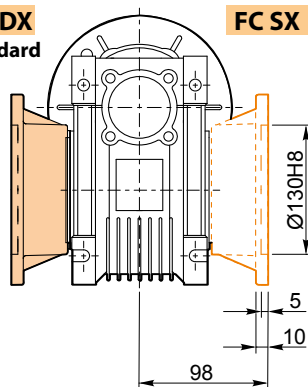
FA SX

FB DX
Standard



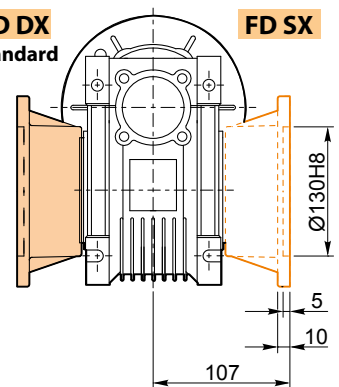
FB SX

FC DX
Standard



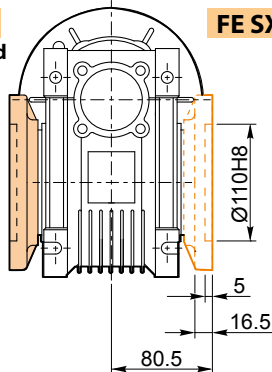
FC SX

FD DX
Standard



FD SX

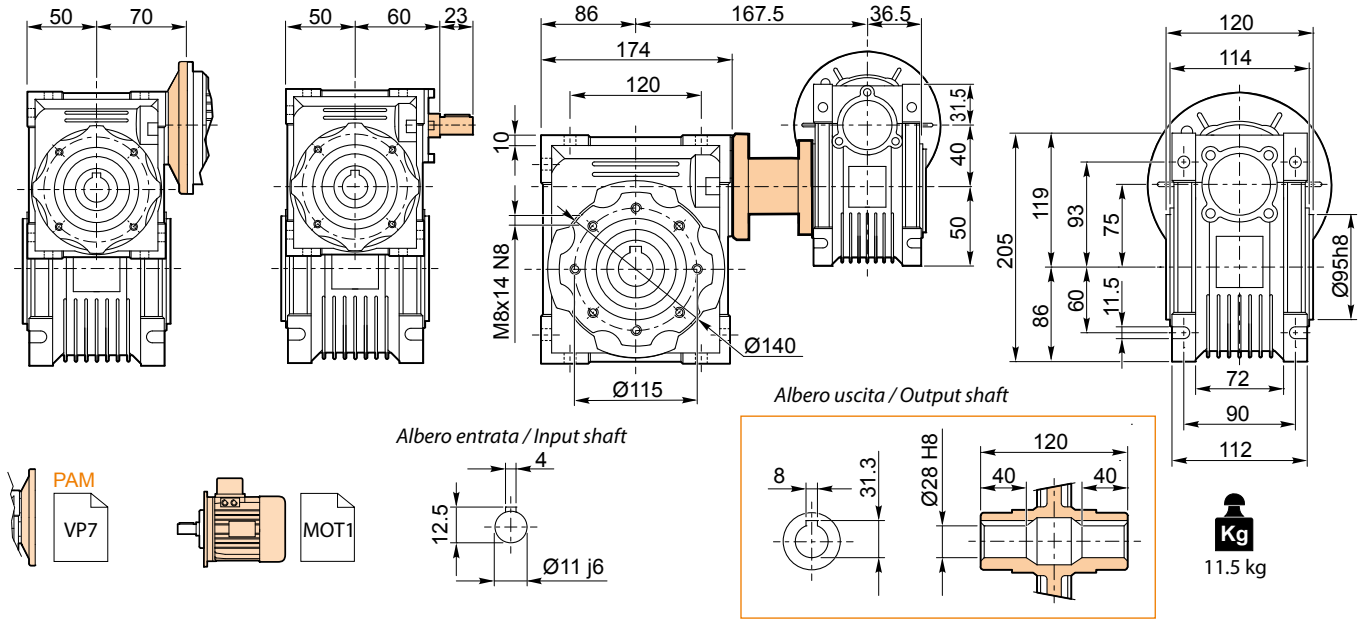
FE DX
Standard



FE SX

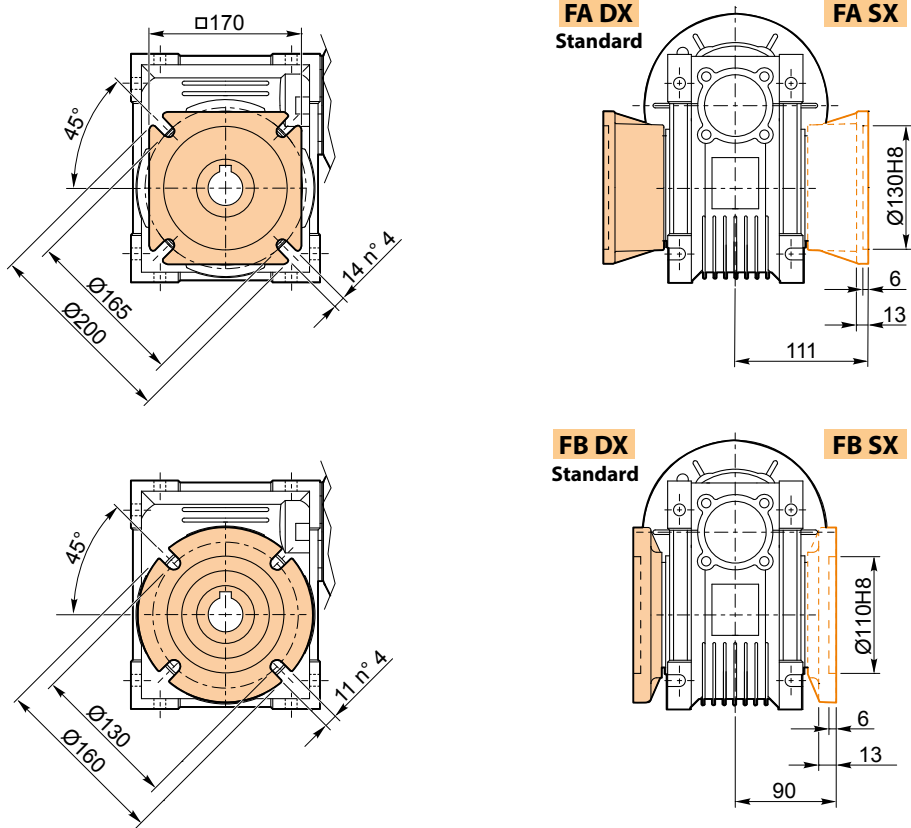
VC 040/075 P...

VS 040/075 P...



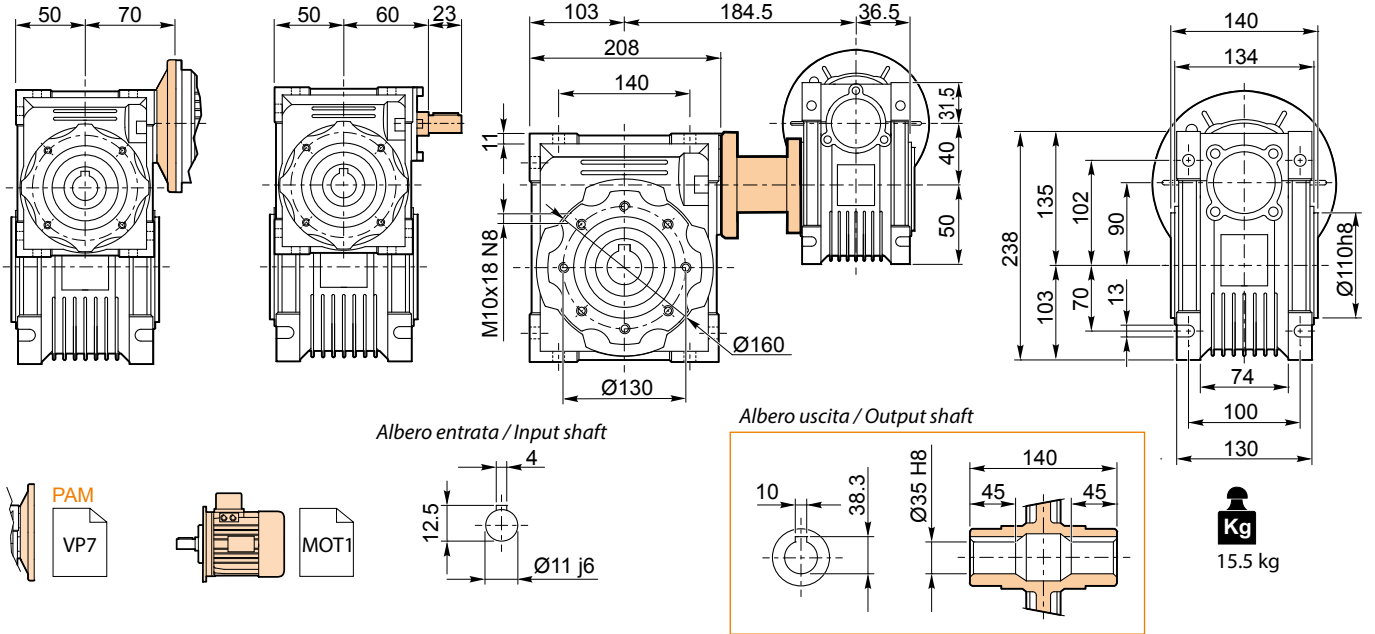
VC 040 / 075 F...

VS 040 / 075 F...



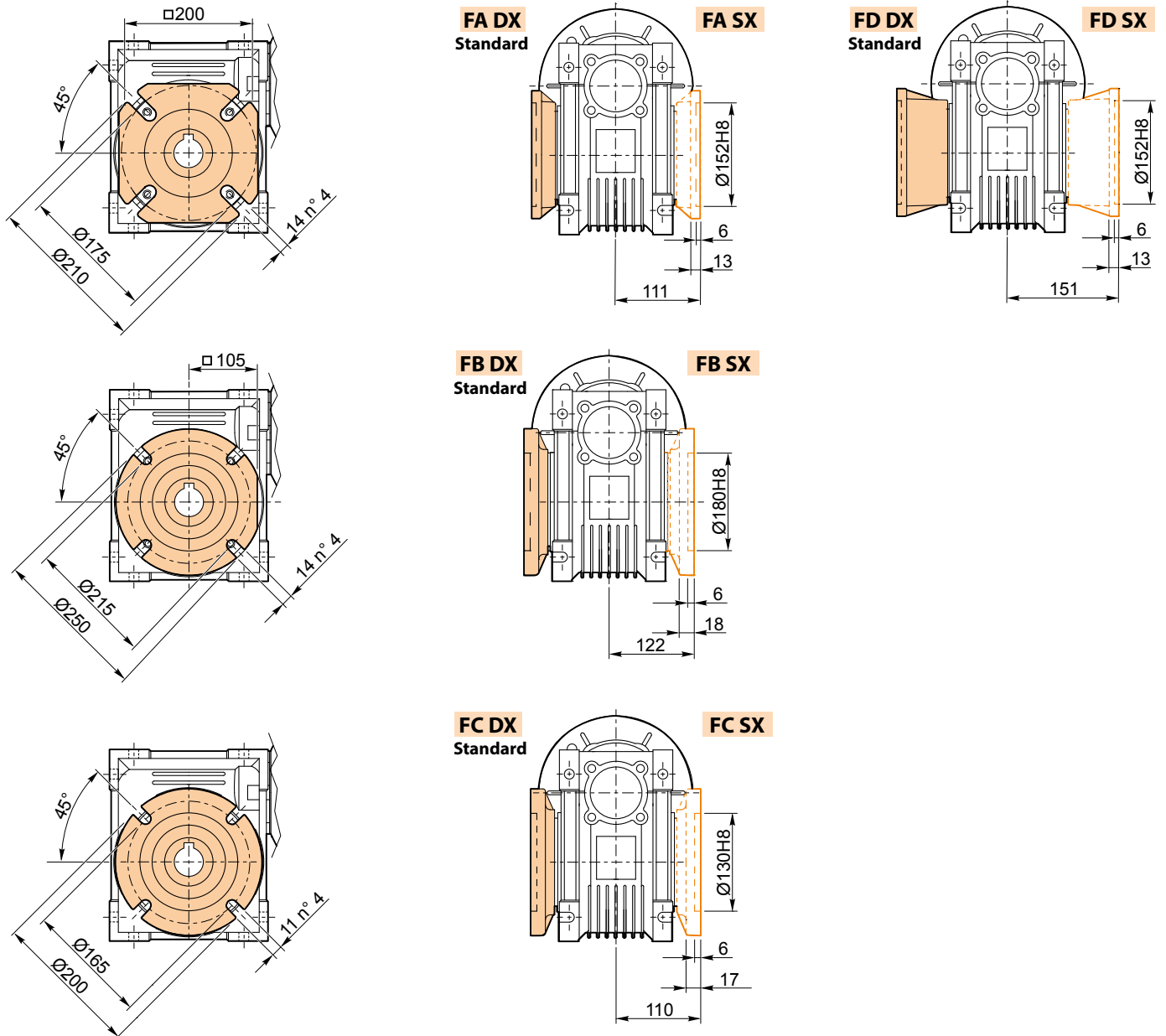
VC 040/090 P...

VS 040/090 P...



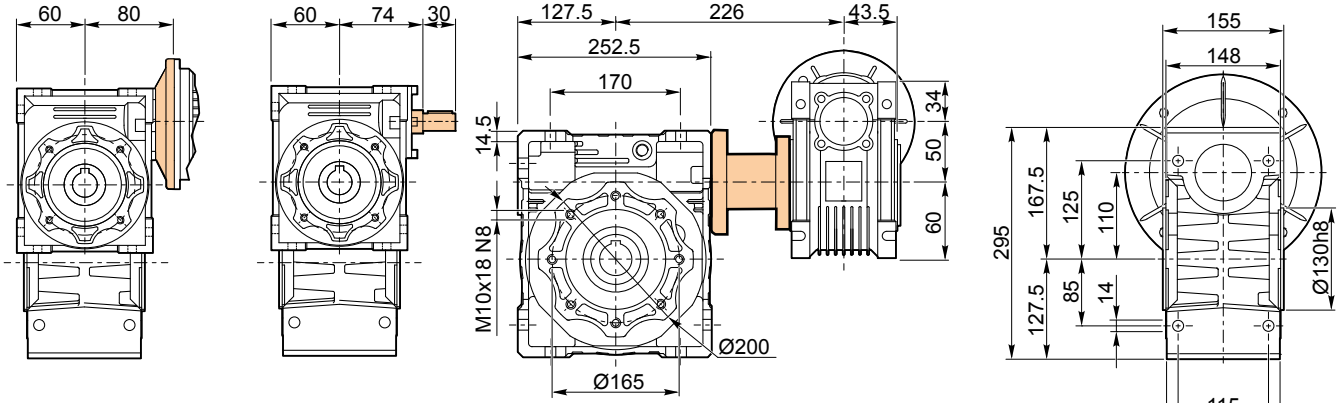
VC 040/090 F...

VS 040/090 F...



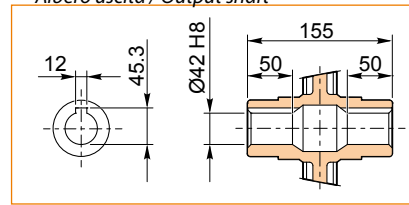
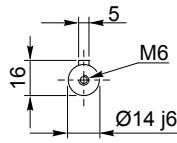
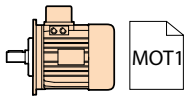
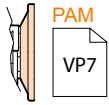
VC 050/110 P...

VS 050/110 P...



Albero entrata / Input shaft

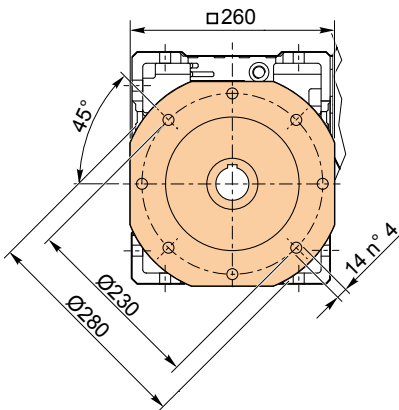
Albero uscita / Output shaft



Kg
39 kg

VC 050/110 F...

VS 050/110 F...

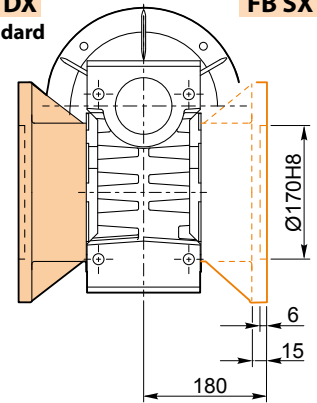
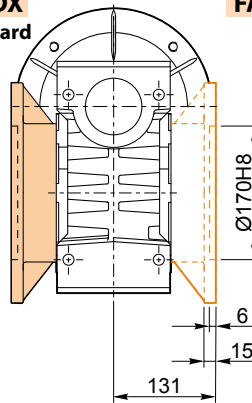


FA DX
Standard

FA SX

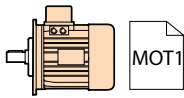
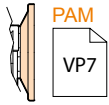
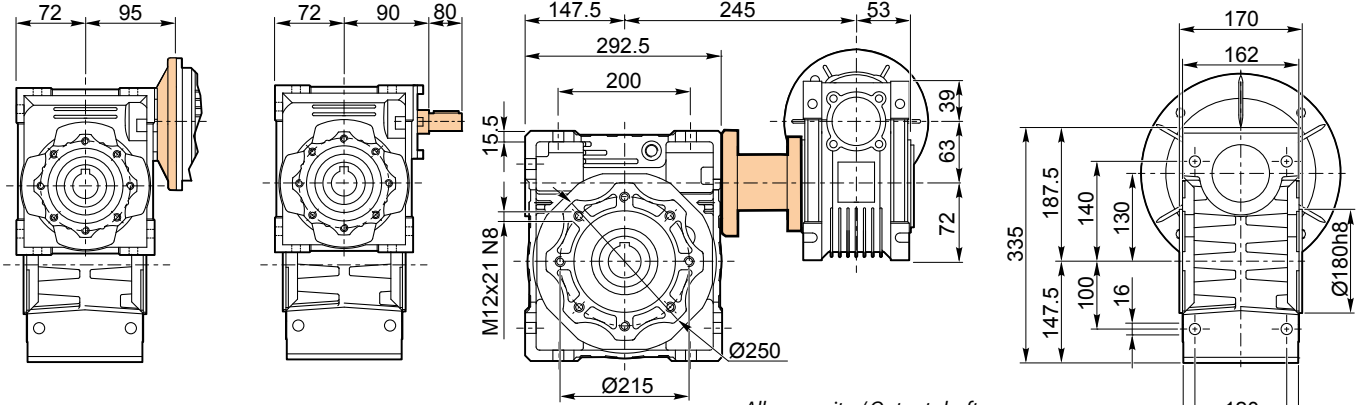
FB DX
Standard

FB SX

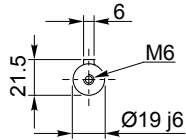


VC 063 / 130 P ...

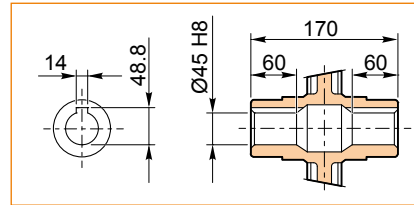
VS 063 / 130 P ...



Albero entrata / Input shaft



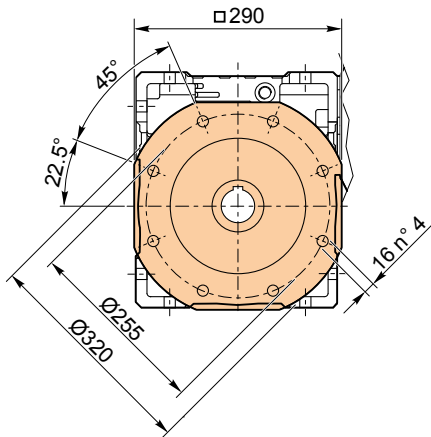
Albero uscita / Output shaft



Kg
55 kg

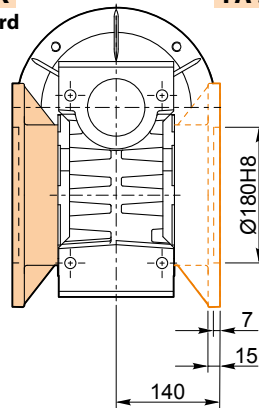
VC 063 / 130 F...

VS 063 / 130 F...



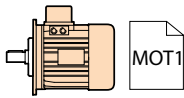
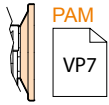
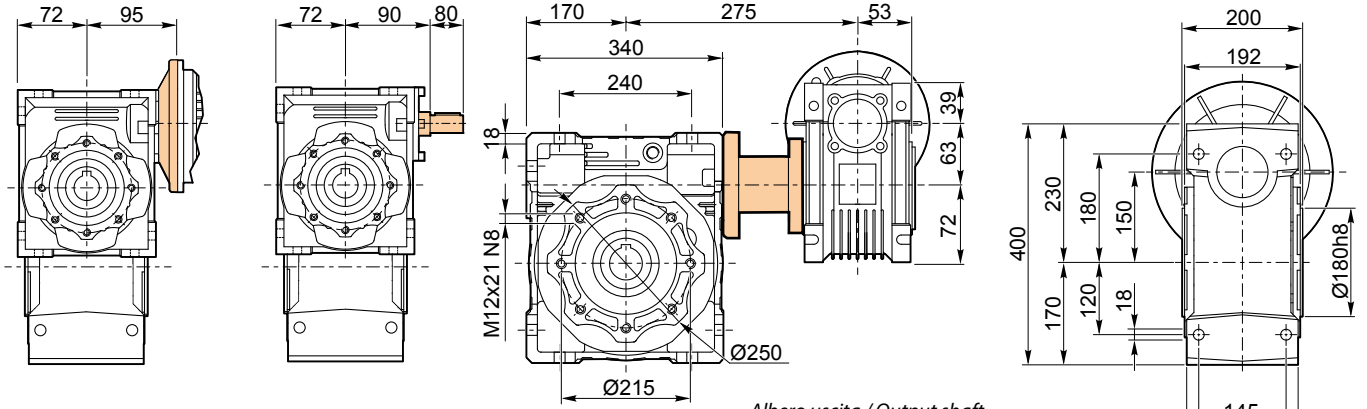
FA DX
Standard

FA SX

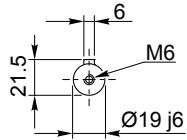


VC 063 / 150 P ...

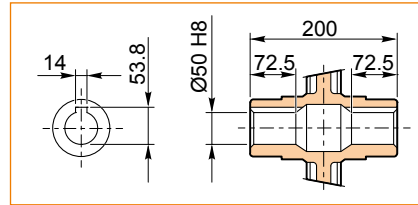
VS 063 / 150 P ...



Albero entrata / Input shaft



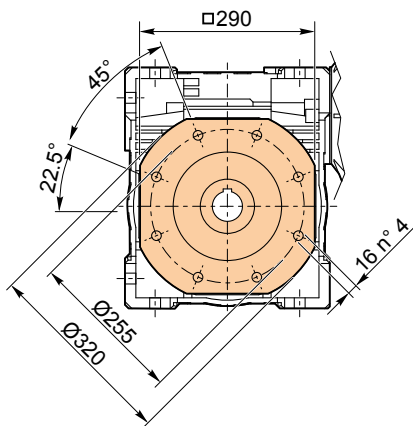
Albero uscita / Output shaft



Kg
92 kg

VC 063 / 150F...

VS 063 / 150 F...



FA DX
Standard

FA SX

