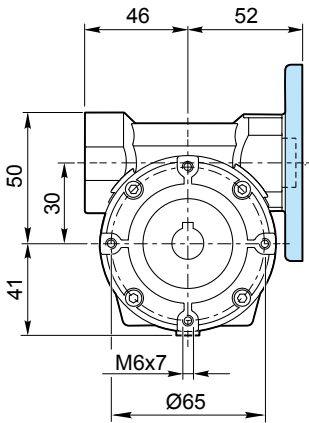
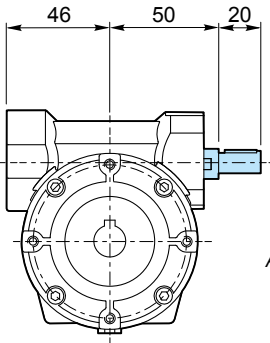


Dimensioni riduttori a vite senza fine / Dimensions worm gearboxes

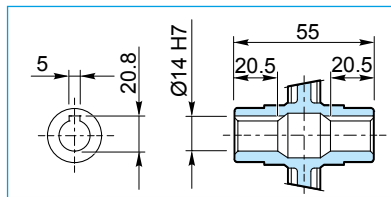
VTS 030 P ...



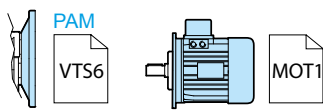
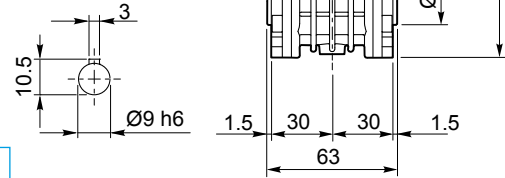
VES 030 P ...



Albero uscita / Output shaft



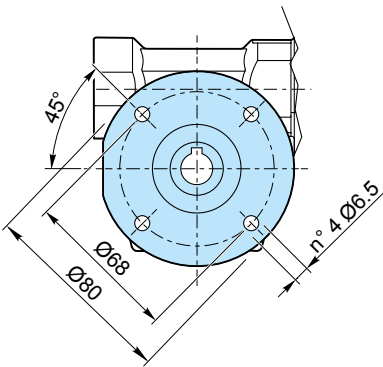
Albero entrata / Input shaft



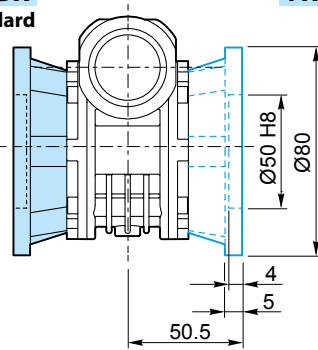
Kg
0.9 kg

oil
0.035 l

VTS 030 FXT / VES 030 FXT

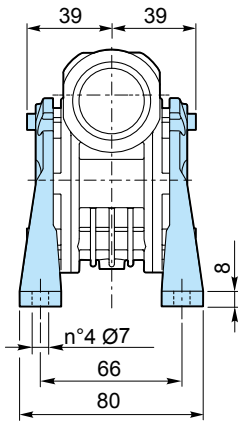
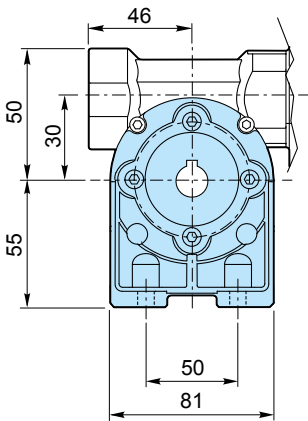


FXT DX
Standard

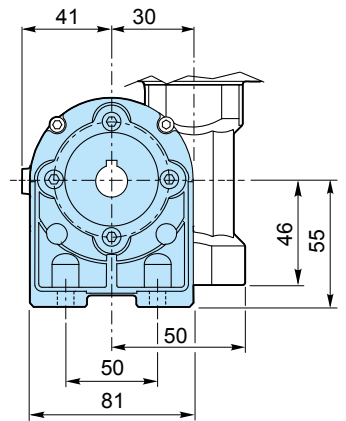
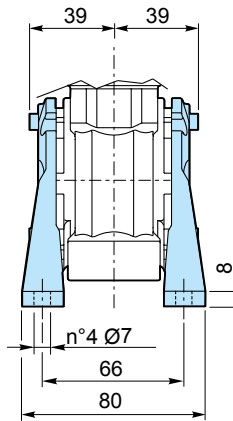


FXT SX

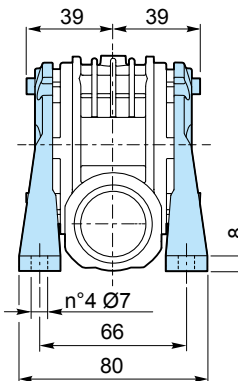
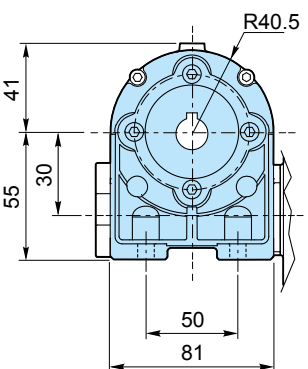
VTS 030 PXA... / VES 030 PXA...

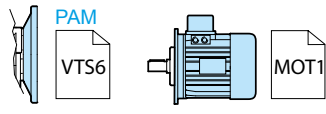
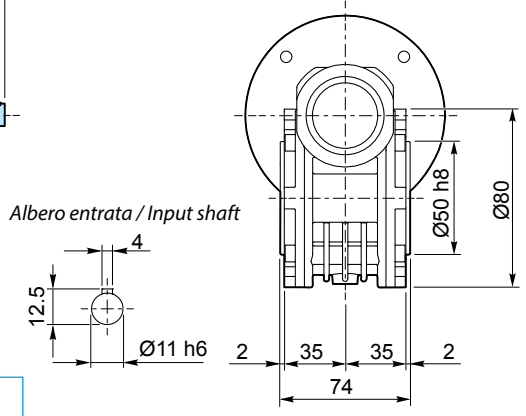
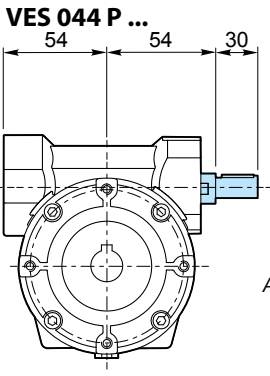
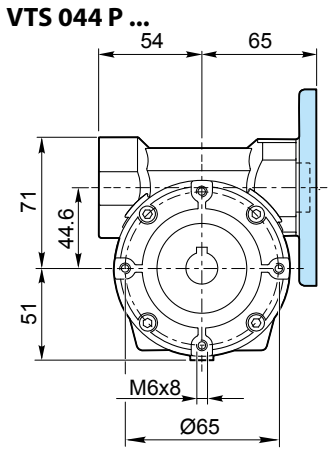


VTS 030 PXV... / VES 030 PXV...



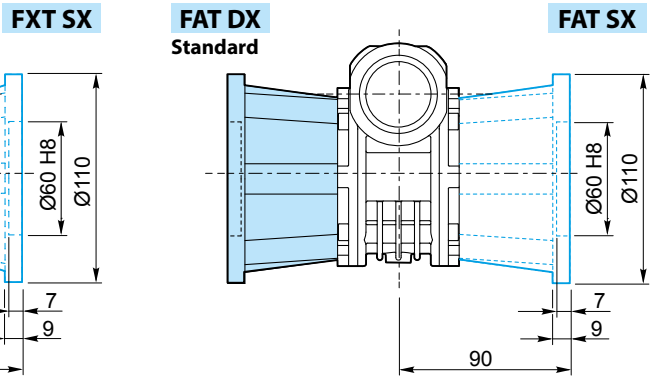
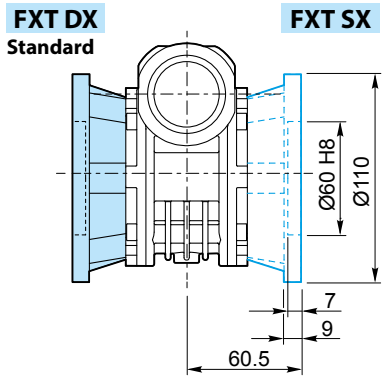
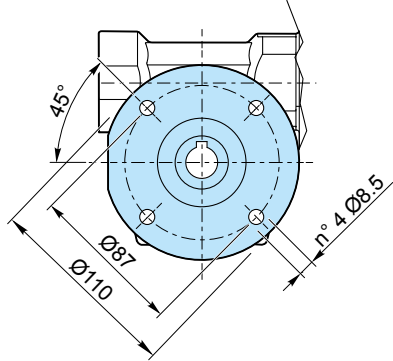
VTS 030 PXN... / VES 030 PXN...





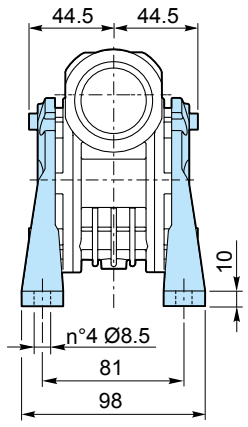
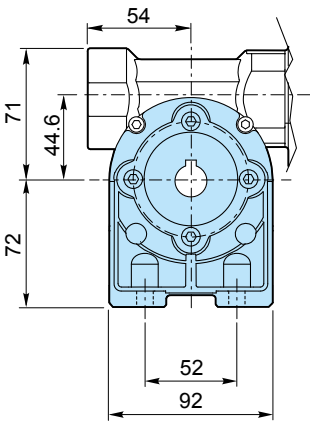
Kg 1.8 kg
(OIL) 0.055 l

VTS 044 F... / VES 044 F...

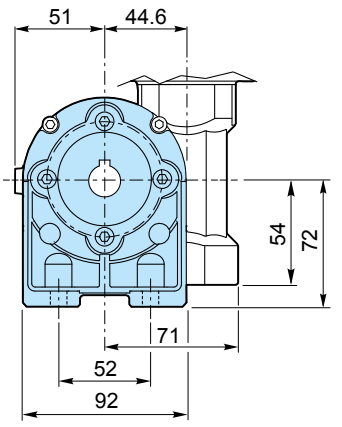
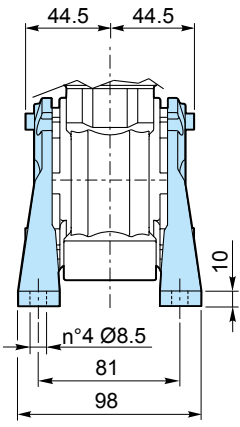


FAT SX

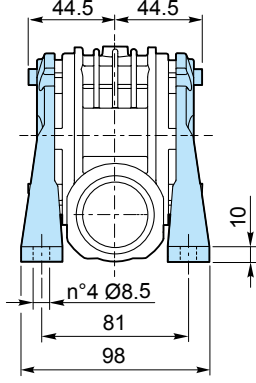
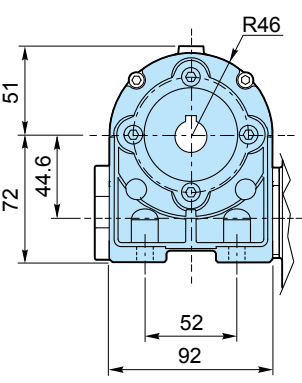
VTS 044 PXA... / VES 044 PXA...



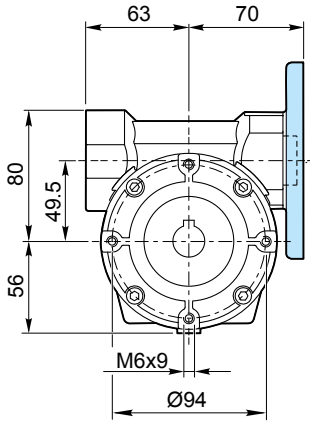
VTS 044 PXV... / VES 044 PXV...



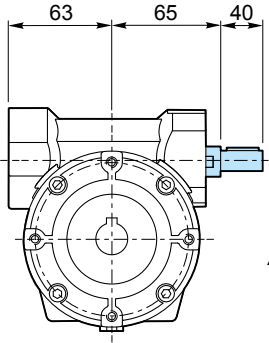
VTS 044 PXN... / VES 044 PXN...



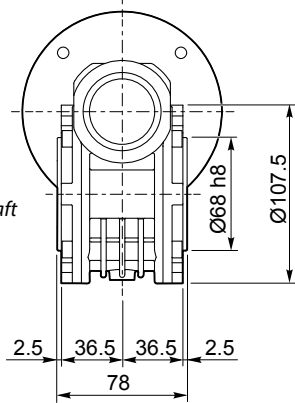
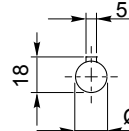
VTS 049 P ...



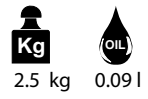
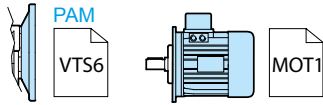
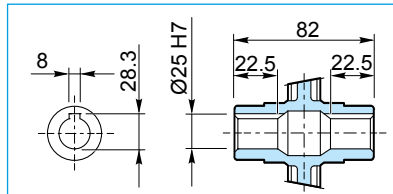
VES 049 P ...



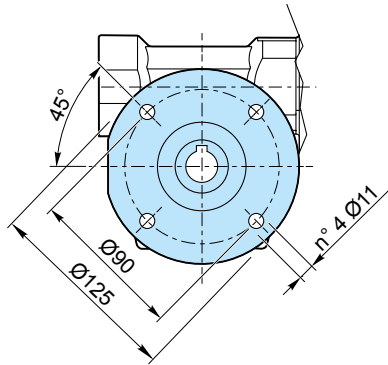
Albero entrata / Input shaft



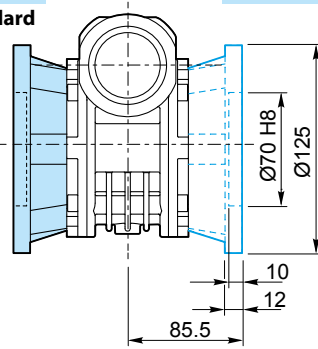
Albero uscita / Output shaft



VTS 049 F... / VES 049 F...

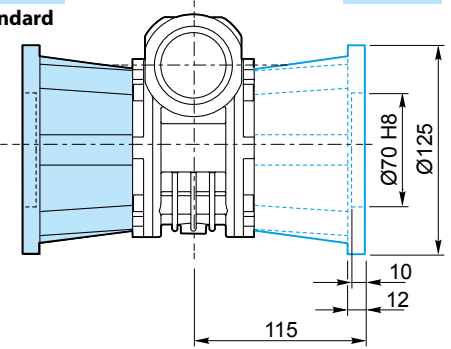


FXT DX Standard



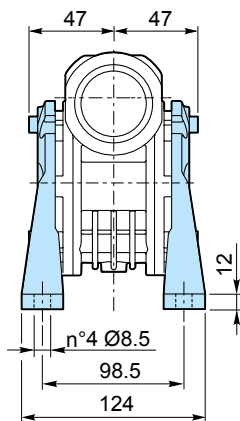
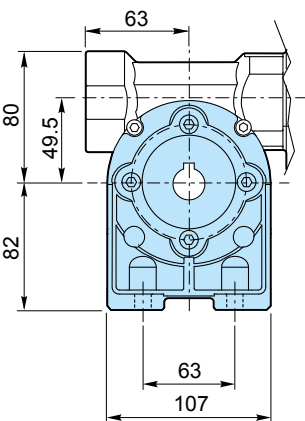
FXT SX

FAT DX Standard

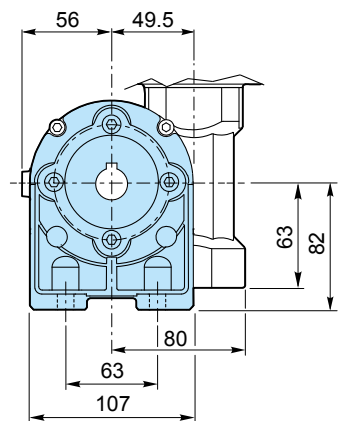
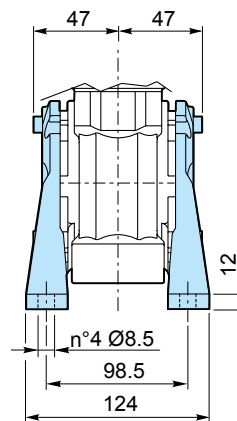


FAT SX

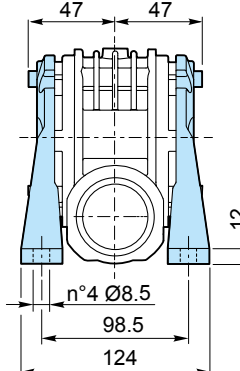
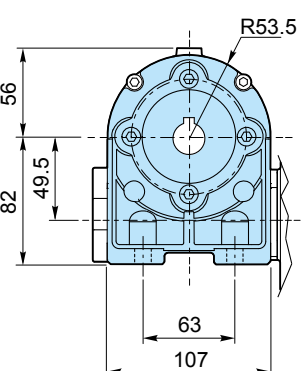
VTS 049 PXA... / VES 049 PXA...



VTS 049 PXV... / VES 049 PXV...



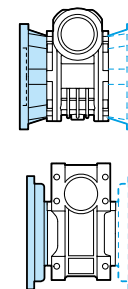
VTS 049PXN... / VES 049 PXN...



Kit assemblaggio - Accessori / Assembly Kit - Accessories

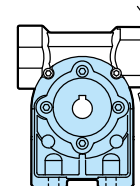
KIT FLANGIA USCITA / KIT OUTPUT FLANGE

Riduttore Gearbox	Grandezza - Size													
	VTS / VTE		030		044		049		063		075		086	
	VKS / VKE		-		030/044		030/049		030/063		044/075		044/086	
	TIPO FLANGIA / TYPE FLANGE		FXT	FXT	FAT	FXT	FAT	FXT	FCT	FXT	FCT	FXT	FCT	
	CODICE / CODE		FXT030	FXT044	FAT044	FXT049	FAT049	FXT063	FCT063	FXT075	FCT075	FXT086	FCT086	



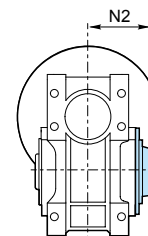
KIT PIEDE / KIT FOOT

Riduttore Gearbox	Grandezza - Size			
	VTS / VTE	030	044	049
	VKS / VKE	-	030/044	030/049
	CODICE / CODE	PUT030	PUT044	PUT049



KIT PROTEZIONE ALBERO CAVO / KIT HOLLOW SHAFT PROTECTION

Riduttore Gearbox	Grandezza - Size						
	VTS / VTE	030	044	049	063	075	086
	VKS / VKE	-	030/044	030/049	030/063	044/075	044/086
	N2	42	50	58	82	85.5	93.5
	CODICE / CODE	COT030	COT044	COT049	COT063	COT075	COT086



KIT FLANGIA ENTRATA / KIT INPUT FLANGE

VTS	IEC	CODICE / CODE
030	63B5	FIT030063B5
	63B14	FIT030063B14
	56B14	FIT030056B14
044	71B5	FIT044071B5
	71B14	FIT044071B14
	63B5	FIT044063B5
	63B14	FIT044063B14
049	80B5	FIT049080B5
	80B14	FIT049080B14
	71B5	FIT049071B5
	71B14	FIT049071B14
	63B5	FIT049063B5
063	63B14	FIT049063B14
	90B5	FIT063080B5
	90B14	FIT063090B14
	80B5	FIT063080B5
	80B14	FIT063080B14
	71B5	FIT063071B5
075	71B14	FIT063071B14
	100/112B5	FIT075100B5
	100/112B14	FIT075100B14
	90B5	FIT075080B5
	90B14	FIT075090B14
	80B5	FIT075080B5
	80B14	FIT075080B14
086	71B5	FIT075071B5
	100/112B5	FIT075100B5
	100/112B14	FIT075100B14
	90B5	FIT075080B5
	90B14	FIT075090B14
	80B5	FIT075080B5
	80B14	FIT075080B14

